

General Features:

- Universal input, support RTD:Pt100, Cu50, Cu100
Thermocouple:K,J,E,T,S,R,B,N,
PT1000 and WRe needs to be custom made
- 2 wires 4-20mA output
- Input configurable via **PC Software** and **Andriod App**
- Built-in cold junction compensation
- Can be installed in Form B connection box
- High accuracy, 0.1% for RTD, 0.2% for TC
- USB cable for configuration purpose can draw power from PC directly
separate 24VDC power source is no need
- Surge protection, reverse connection protection

The configuration can be done via software from PC or from android smart phone

General Specifications

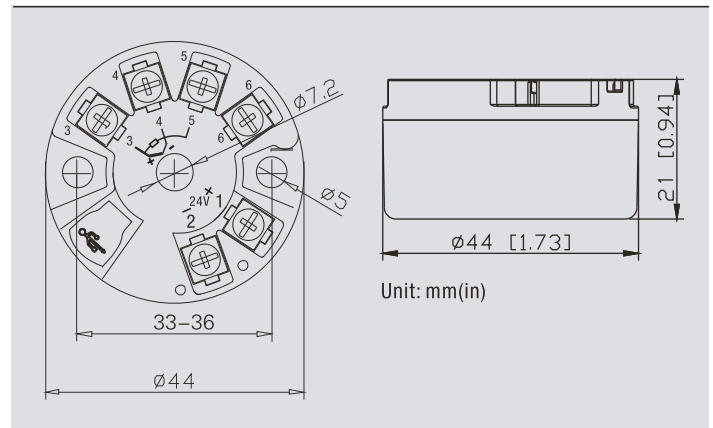
Item No	TT-108
Sensor type	PT100,Cu50,Cu100,K,J,E,T,S,R,B,N,PT1000 and WRe needs to be custom made
Cold end junction compensate range	-40°C~ + 80°C
Compensate accuracy	±1°C
Output	4-20mA
Load resistance	$RL \leq (Ue-12)/0.021$
Over range alarm value	IH=20.8mA, IL=20.8mA
Input break output current value	21mA
Power supply	12-35VDC
Accuracy(ambient 20°C)	0.1% F.S for RTD, 0.2% F.S for TC
Temperature drift	0.01% F.S/°C
Response time	1ms to 90% of maximum output
Input/output isolation strength	Non-isolation
Input/output impedance	Non-isolation
EMC standard	IEC 61326-1
Working temperature	-40°C~ + 80°C
Mounting screw	M4*2

Input signal and range

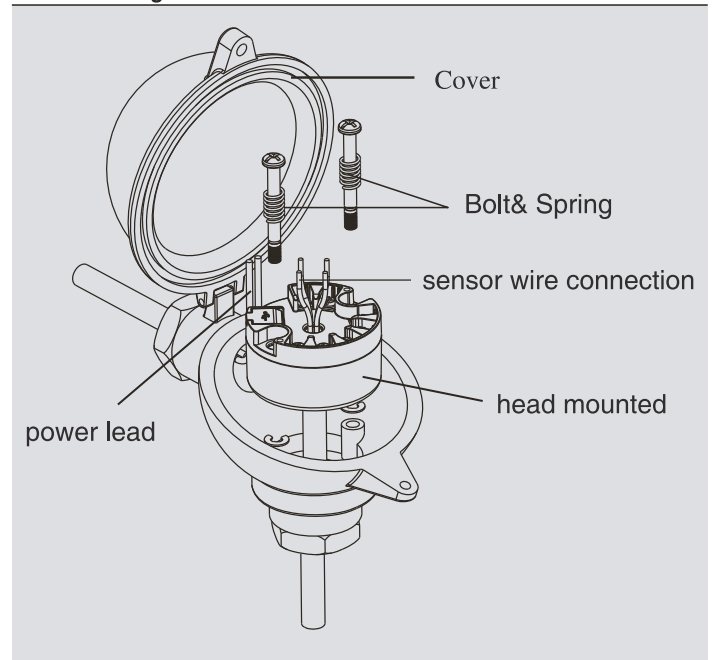
Sensor type	Specific sensor type	Measuring range	Minimum measuring range
RTD	Pt100	-200.0~850.0°C	10°C
	Cu50	-50.0~150.0°C	10°C
	Cu100	-50.0~150.0°C	10°C
TC	B	400~1800°C	500°C
	E	-100~1000°C	50°C
	J	-100~1200°C	50°C
	K	-180~1372°C	50°C
	N	-180~1300°C	50°C
	R	-50~1760°C	500°C
	S	-50~1760°C	500°C
	T	-200~400°C	50°C
	Need to be custom made	Wre3-25	0~2315°C
Wre5-26		0~2310°C	500°C
Pt1000		-200.0~850.0°C	10°C

Technical Specifications

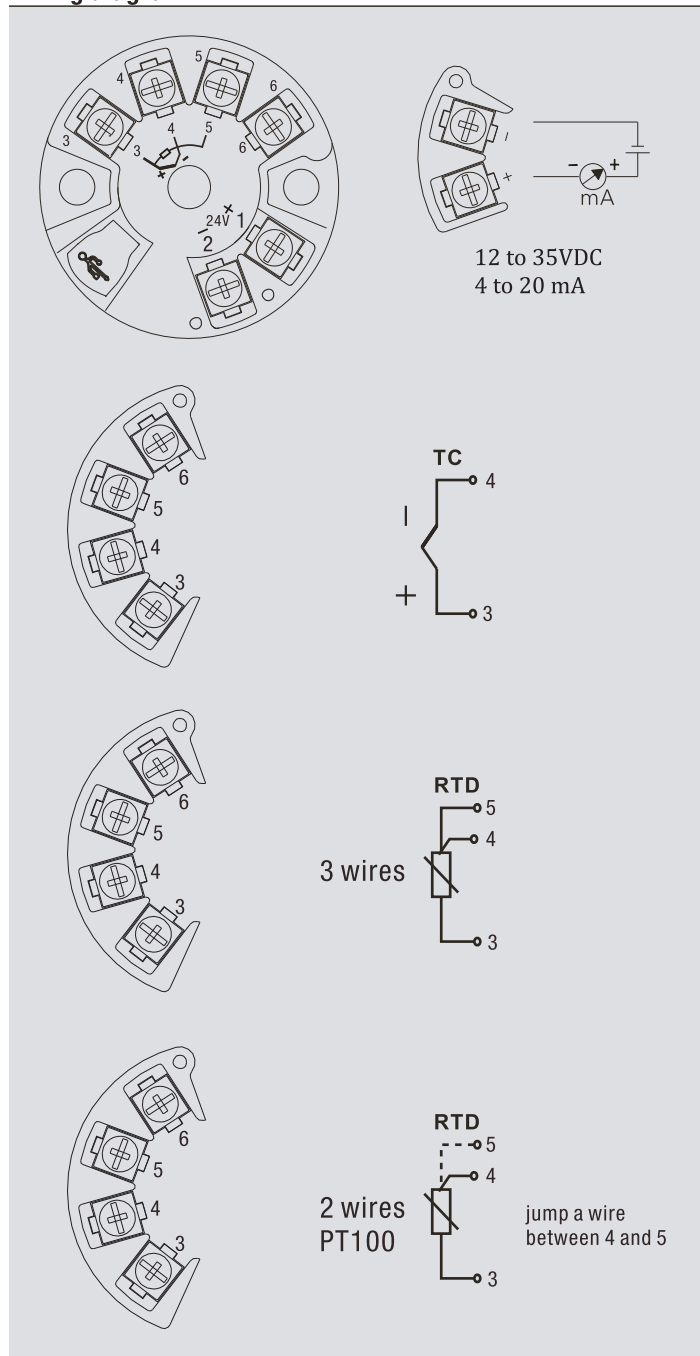
Dimension



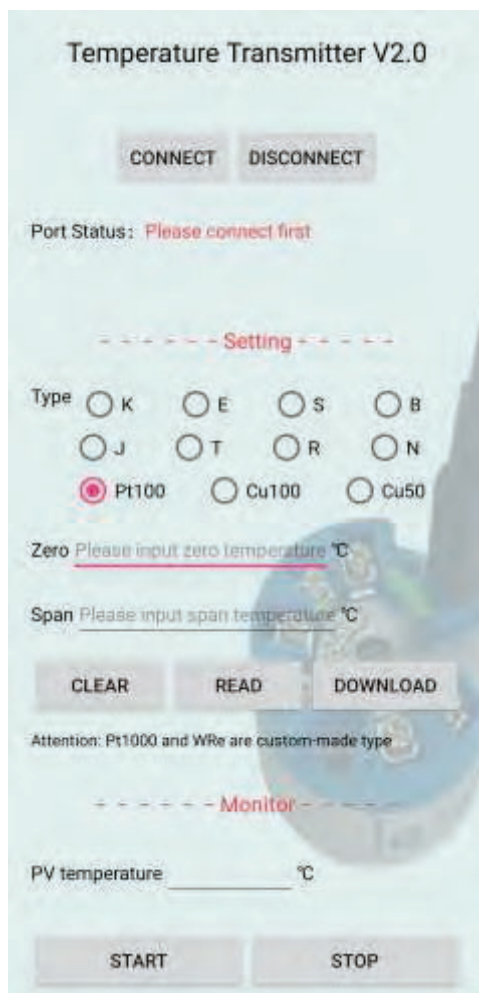
Installation guide



Wiring diagram



PC configuration software interface



Android OS system configuration software interface

Configuration guidelines

The configuration can be done via PC and android smart phone.



Connect the transmitter with PC using the programming cable please note this is a custom made programming cable, do not use other cable otherwise the transmitter will be damaged.